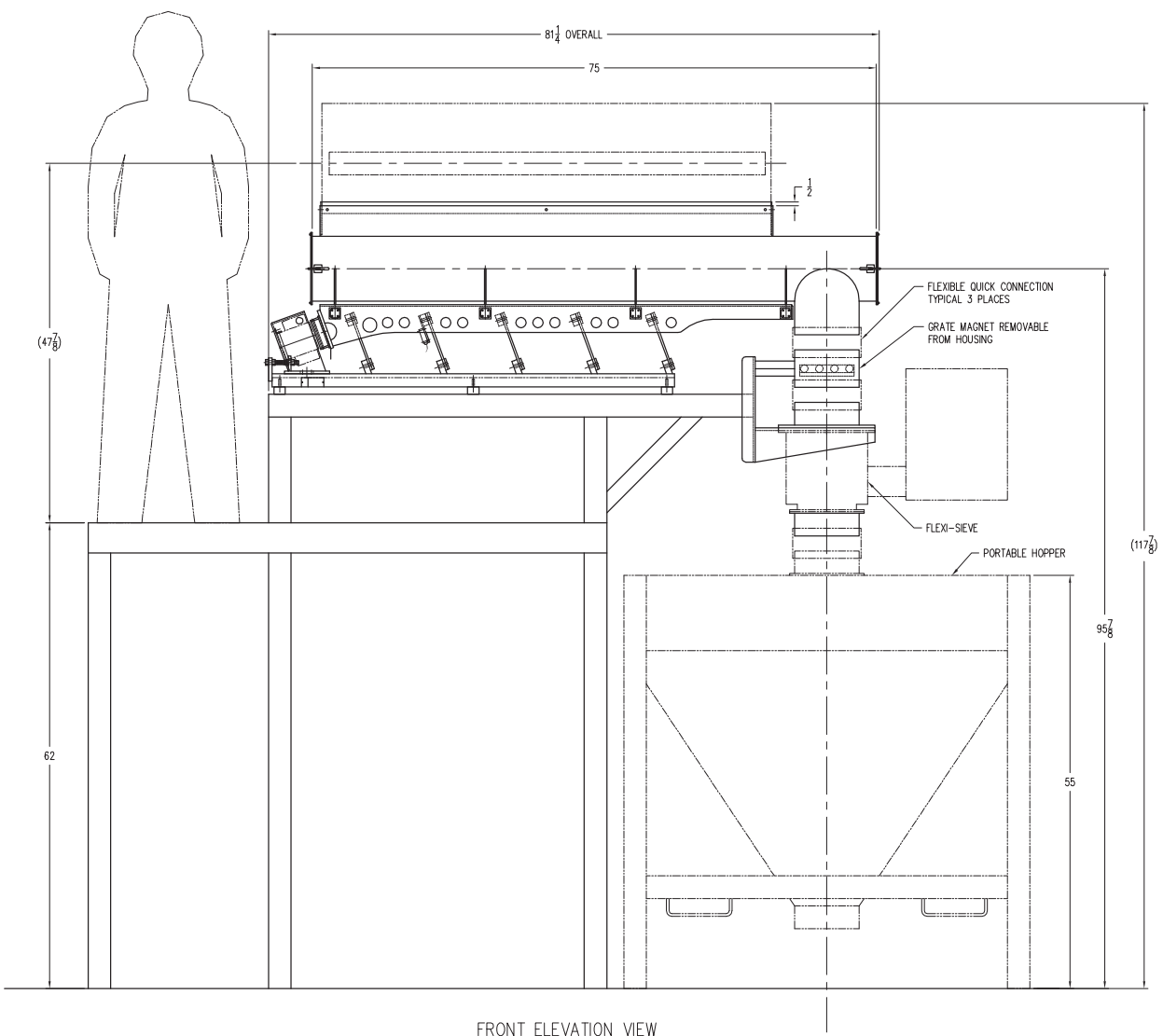
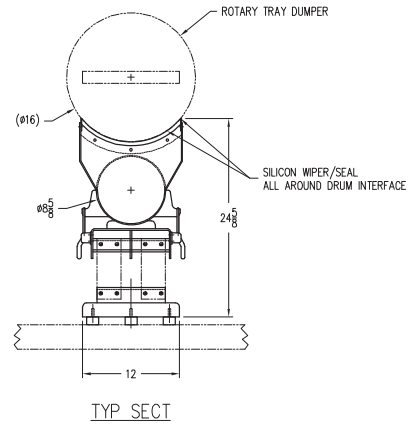


PARTS LIST						
GROUP	ITEM	PART NO.	DESCRIPTION	MAT'L	WT	QTY
	1	XX-XXXX	XXXX			1



FRONT ELEVATION VIEW



NOTES: (UNLESS OTHERWISE SPECIFIED)
 1. ALL DIMENSIONS ARE IN INCHES
 2. REMOVE ALL SHARP EDGES AND CORNERS

			CRESCENT SYSTEMS, INC.		
			TUALATIN, OR. USA. 503-692-0287		
			PROPOSED VIBRATORY TUBE CONV		
			8" DIA x 75 LG		
NO.	REVISION	DATE	DATE: 1-5-13	BY: JMI	CLIENT: RO-1899
THIS DRAWING IS THE PROPERTY OF CRESCENT SYSTEMS, INC. AND ITS CLIENTS. THIS CONTAINS CONFIDENTIAL INFORMATION AND COPYING IT WITHOUT PERMISSION IS STRICTLY FORBIDDEN.			SCALE: 1/8"=1"	APPRVD.:	DWG. NO. 13-2426
					SHEET 1 OF 1